
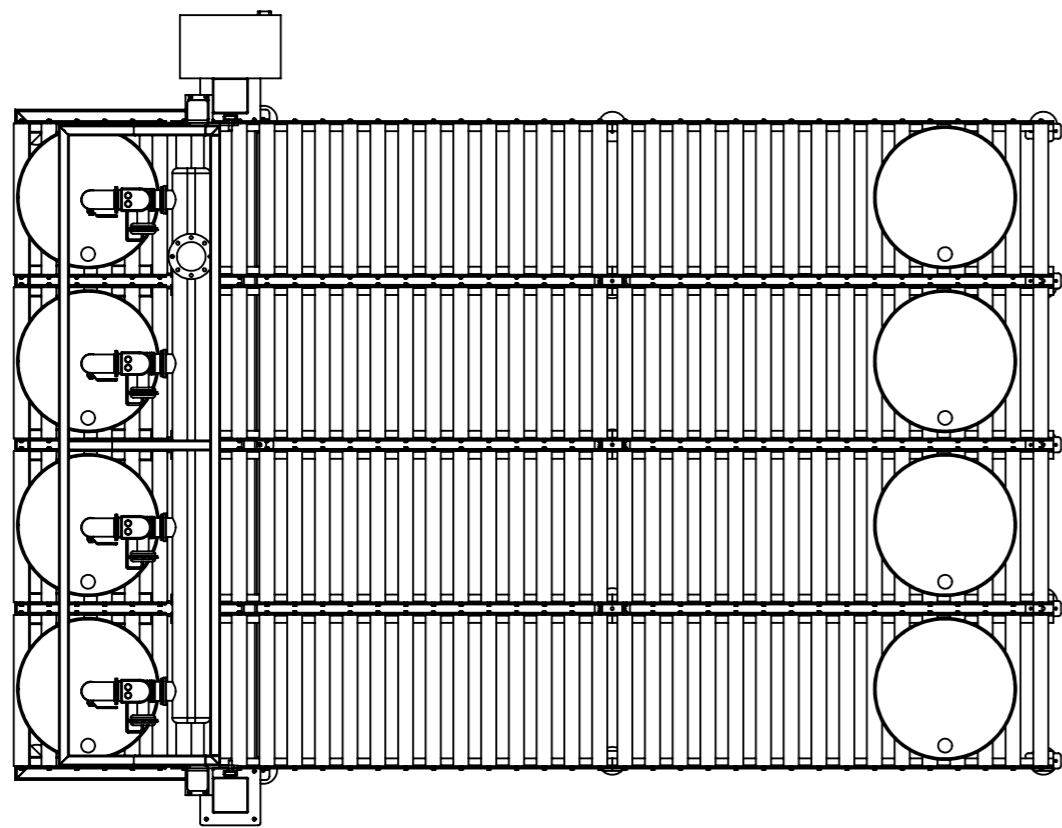
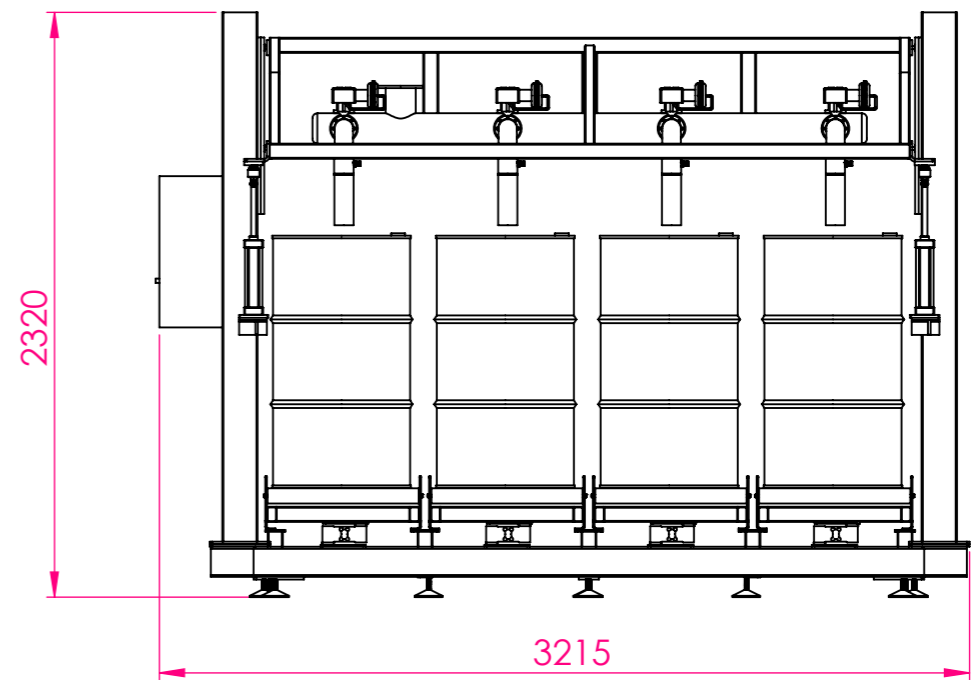
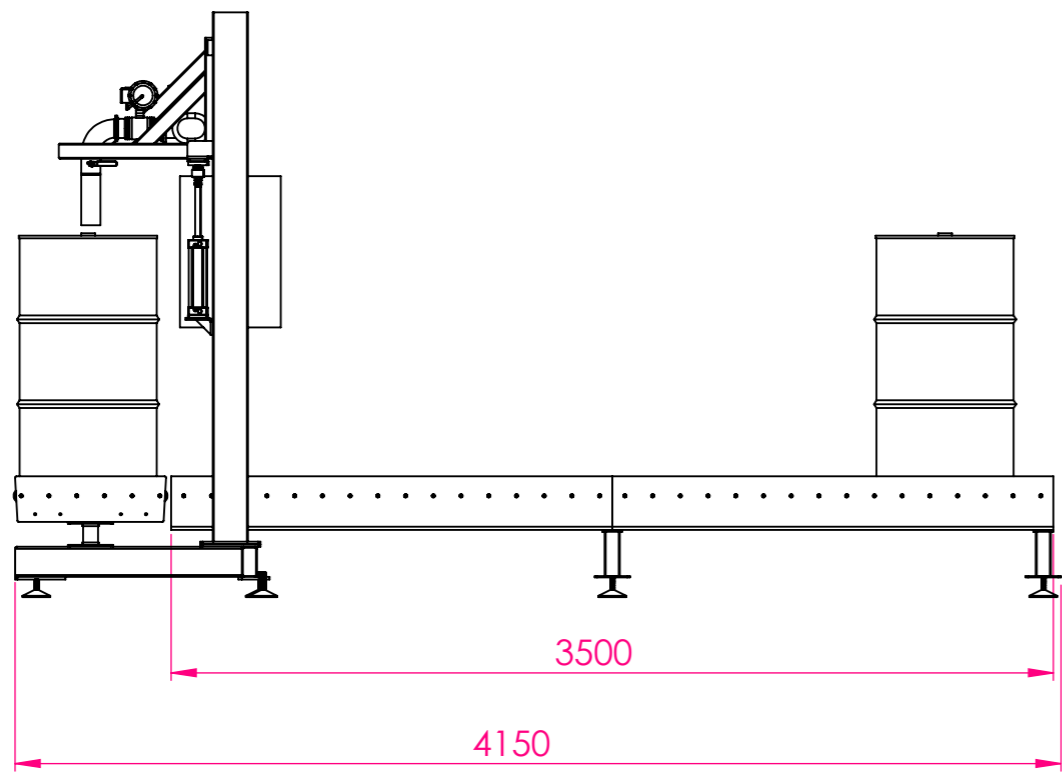



UNLESS OTHERWISE SPECIFIED: DIMENSIONS ARE IN MILLIMETERS SURFACE FINISH: TOLERANCES: LINEAR: ANGULAR:		FINISH:	QTY:	CONTRACTOR: FARASOO TOWZIN 	CLIENT: Sayal Gostar Parseh
NAME	SIGNATURE	DATE	DOCUMENT NO.	TITLE: Erbil Bitumen Drum Filling	
DRAWN: M.Gharavian		29-Sep-19	MATERIAL:		
CHECKED: M.Gharavian		29-Sep-19	WEIGHT:	DWG NO.	A3
APPROVED: M.Karimian		29-Sep-19		SCALE:1:50	



UNLESS OTHERWISE SPECIFIED: DIMENSIONS ARE IN MILLIMETERS SURFACE FINISH: TOLERANCES: LINEAR: ANGULAR:		FINISH:	QTY:	CONTRACTOR: FARASOO TOWZIN 	CLIENT: Sayal Gostar Parseh
NAME	SIGNATURE	DATE	DOCUMENT NO.	TITLE: Tar Filling Machine	
DRAWN: M.Gharavian		29-Sep-19	MATERIAL:	DWG NO.	
CHECKED: M.Gharavian		29-Sep-19	WEIGHT:	A3	
APPROVED: M.Karimian		29-Sep-19		SCALE:1:50	SHEET 2 OF 2